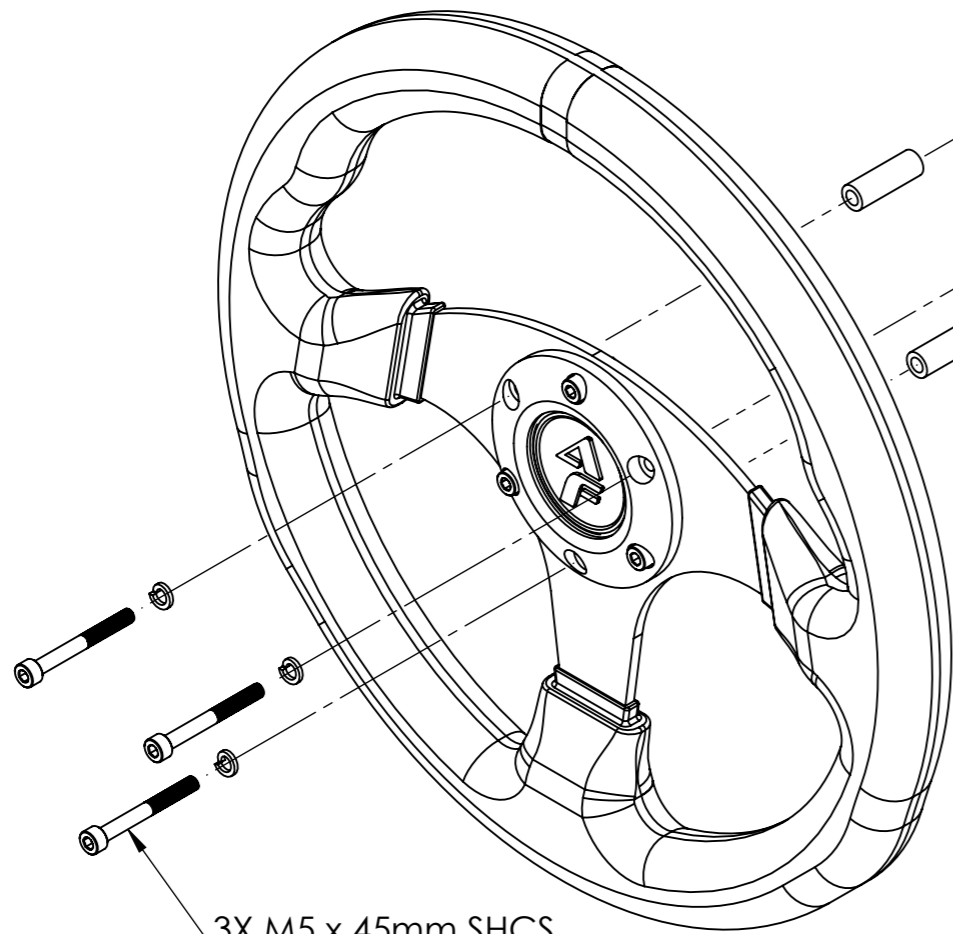
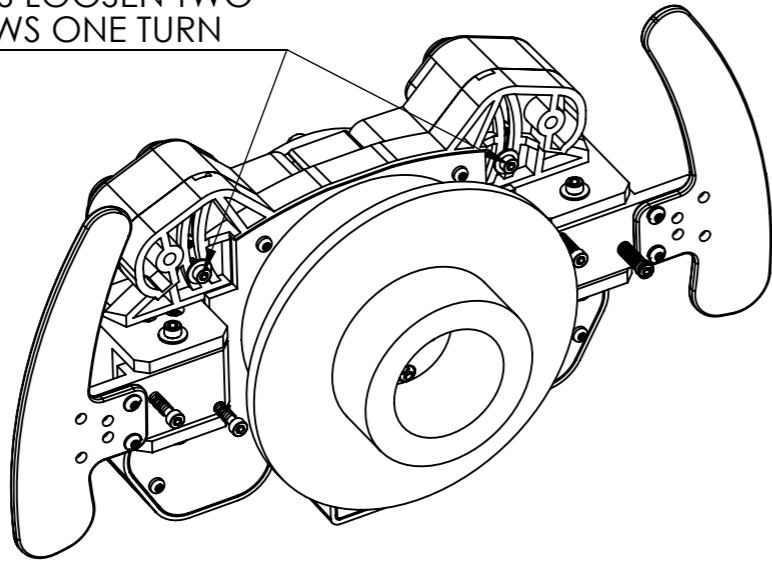
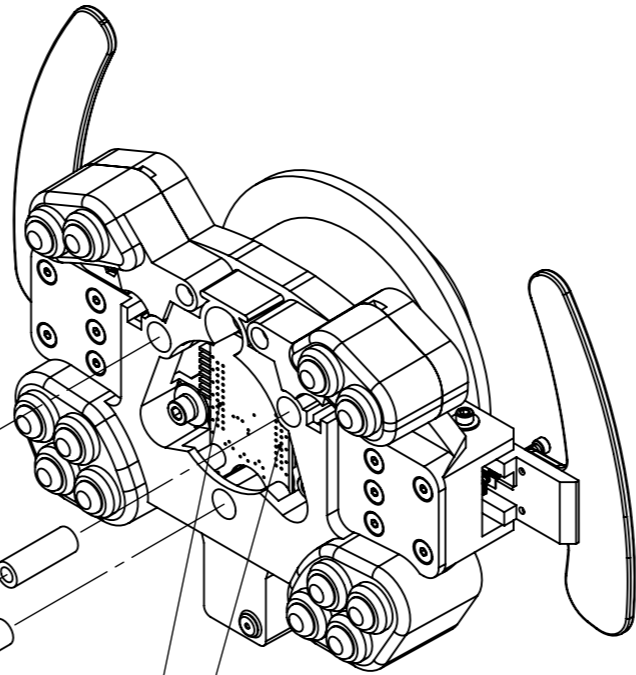


REVISIONS				
ZONE	REV.	DESCRIPTION	DATE	APPROVED
	A	INITIAL RELEASE	10/4/14	
	B	ADD SCREW DETAIL NOTE, UPDATE HORN LOGO	1/19/2015	
	C	ADD HORN LEAD NOTE, ADD UPPER BUTTON ADJUSTMENT VIEW	3/13/2015	

TO ADJUST UPPER BUTTON
BOX PADS LOOSEN TWO
M3 SCREWS ONE TURN



3X M5 x 45mm SHCS



PCB PINS MAY PUNCTURE HORN LEAD
WIRES. SHORTING LEADS TO STUCK
OR INOPERATIVE BUTTONS. AVOID
ROUTING WIRES OVER THESE PINS

DIMENSIONS ARE IN MILLIMETERS [INCHES]:		FINISH:	DEBUR AND BREAK SHARP EDGES		DO NOT SCALE DRAWING	REVISION C
METRIC TOLERANCES: ONE PLACE: 0.3 mm TWO PLACE: 0.13 mm					SIMXPERIENCE	
IMPERIAL TOLERANCES: TWO PLACE: [0.012 in] THREE PLACE: [0.005 in]						
NAME	SIGNATURE	DATE			TITLE: STEERING WHEEL INSTALLATION	
DRAWN P DOTSON		10/4/14			DWG NO. Accuforce Steering Wheel Installation.C	
CHK'D					A3	
APPV'D					SCALE:1:10	
MFG					SHEET 1 OF 1	
Q.A				MATERIAL:		
				WEIGHT:		